

Conduit Outlet Bodies ERB Round Boxes

Application data :

The ERB round boxes are designed for use in the conduit system in hazardous areas to

- provide opening for tap, splice or pull outlet for conductors.
- provide an access to conduit system for maintenance.
- change conduit direction.
- use with threaded rigid steel conduit (RSC) or intermediate metal conduit (IMC).

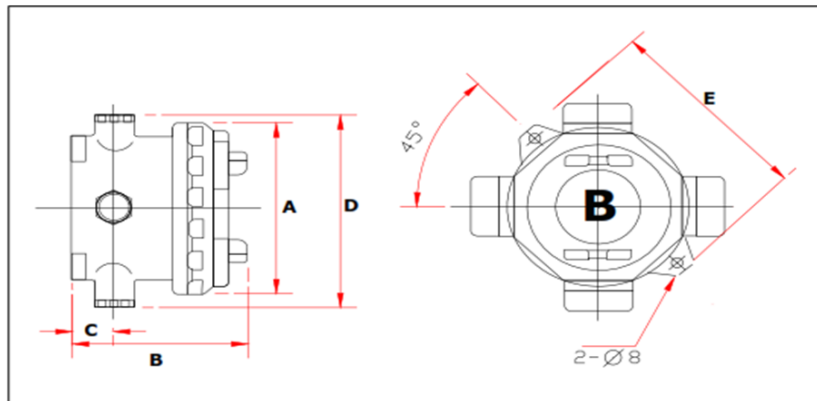
Technical data :

Explosion Protection	: Ex d IIB T6
Conforming to	: Standards IEC 60079-0/1 or UL 60079-1
Marking for test	: Ex II2G
Degree of Protection	: IP54/65 acc. To IEC 60529
Ambient Temp. (Ta)	: -20 °C to+ 40 °C
Protection class for UL.	: Class I, Division 1or 2 Group. C,D Class II, Division 1 or 2 Groups. E,F,G Class III
Protection class for IEC	: Zone1 and Zone 2
Conduit hub	: 1/2" - 1" NPT.
Options	: Seal NBR rubble IP67 at inner cover for outdoor

Specification:

Body and cover	: Marine grade copper-free aluminum alloy with epoxy-polyester powder coated , RAL7032(GREY)
Lid screws	: Stainless steel

Catalogue Numbers and Dimensions: in mm.



ERBC



ERBL



ERBT



ERBX

Hub Size. NPT (inch)	Cat., No.				Dimension in mm.					Approx. Weight (kg.)
					A	B	C	D	E	
1/2"	ERBC 1	ERBL 1	ERBT 1	ERBX 1	98	85	21	135	120	0.68
3/4"	ERBC 2	ERBL 2	ERBT 2	ERBX 2	98	85	21	135	120	0.76
1"	ERBC 3	ERBL 3	ERBT 3	ERBX 3	98	85	21	135	120	0.87