



BH Conduit Bushings



**Corrosion resistant
Heavy Duty**

ISO9001:2008

Applications:

BH conduit bushings are used at the end of Rigid steel Conduit (RSC) or Intermediate Metal Conduit (IMC) to protect the cables insulation from abrasion when pulling or mechanical vibration.

Standard Materials:

- Copper-free alumium

Standard Finishes:

- Epoxy-polyester powder coated.

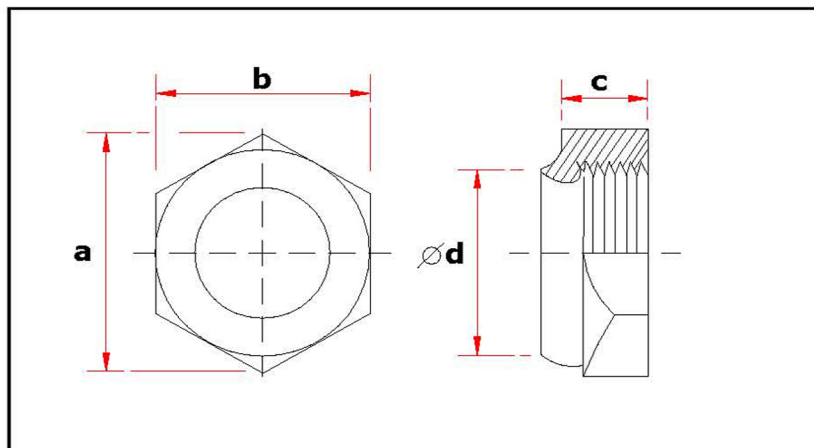
Standard Sizes:

- 1/2 to 2 inches NPT conduit size.



BH

Catalogue Numbers and Dimensions:



Conduit Size (inch)	Cat.,No.	Dimension in mm.			
		a	b	c	∅ d
1/2"	BH1	38	34	13	15
3/4"	BH2	44	40	13	20
1"	BH3	51	45	15	24
1.1/4"	BH4	57	52	15	35
1.1/2"	BH5	65	59	15	40
2"	BH6	74	69	15	52