

Conduit Outlet Bodies (Rectangular Boxes) , ISB Series

Application data :

The ISB rectangular boxes are designed for use in the conduit system in hazardous areas to provide opening for tap, splice or pull outlet for conductors.

- provide an access to conduit system for maintenance.
- change conduit direction.
- use with threaded rigid steel conduit (RSC) or intermediate metal conduit (IMC).

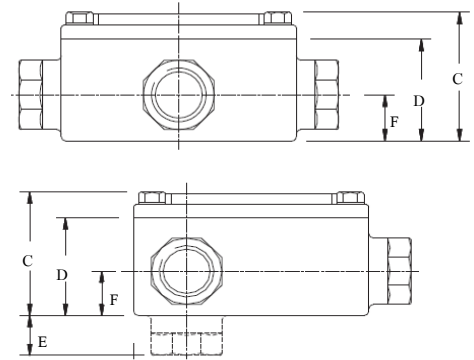
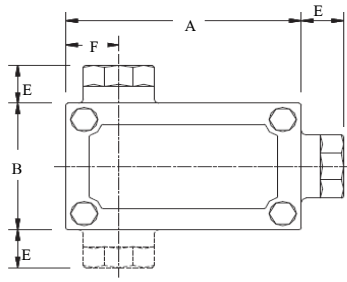
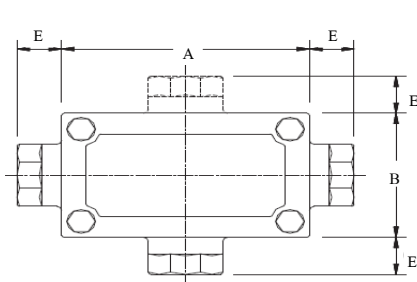
Technical data :

Explosion Protection	: Ex d IIB T6
Conforming to	: Standards IEC 60079-0/1 or UL 60079-1
Marking for test	: Ex II2G
Degree of Protection	: IP54 acc. To IEC 60529
Ambient Temp. (Ta)	: -20°C to + 40°C
Protection class for UL.	: Class I, Division 1 or 2 Group. C,D Class II, Division 1 or 2 Groups. E,F,G Class III
Protection class for IEC	: Zone1 , 21 and Zone 2, 22
Conduit hub	: 1/2" - 4" NPT.

Specification:

Body and cover	: Marine grade copper-free aluminum alloy with epoxy-polyester powder coated , RAL7032 (GREY)
Lid screws	: Stainless steel

Catalogue Numbers and Dimensions: in mm.



Hub Size. NPT (inch)	Cat., No.						Dimension in mm.					
							A	B	C	D	E	F
1/2"	ISBB 1	ISBC 1	ISBL 1	ISBR 1	ISBT 1	ISBX 1	101	44	57	40	16	20
3/4"	ISBB 2	ISBC 2	ISBL 2	ISBR 2	ISBT 2	ISBX 2	101	44	57	40	16	20
1"	ISBB 3	ISBC 3	ISBL 3	ISBR 3	ISBT 3	ISBX 3	119	60	68	52	22	23
1.1/4"	ISBB 4	ISBC 4	ISBL 4	ISBR 4	ISBT 4	ISBX 4	146	67	79	64	23	32
1.1/2"	ISBB 5	ISBC 5	ISBL 5	ISBR 5	ISBT 5	ISBX 5	178	77	86	71	25	35
2"	ISBB 6	ISBC 6	ISBL 6	ISBR 6	ISBT 6	ISBX 6	211	88	103	87	30	43
2.1/2"	ISBB 7	ISBC 7	ISBL 7	ISBR 7	ISBT 7	ISBX 7	246	119	135	116	36	53
3"	ISBB 8	ISBC 8	ISBL 8	ISBR 8	ISBT 8	ISBX 8	246	119	135	116	36	53
3.1/2"	ISBB 9	ISBC 9	ISBL 9	ISBR 9	ISBT 9	ISBX 9	310	175	190	173	36	77
4"	ISBB 10	ISBC 10	ISBL 10	ISBR 10	ISBT 10	ISBX 10	310	175	190	173	36	77