

Application

The REQS receptacle and EPJ plug Series are suitable for:

- hazardous locations due to the presence of flammable gasses or vapors.
- Used for power supply to portable electrical equipment or motor.

Technical data:

| | |
|--------------------------|--|
| Explosion Protection | : Ex d IIB T6/T5 |
| Conforming to | : Standards IEC 60079-1 or UL 60079-1 |
| Marking for test | : Ex II2G |
| Degree of Protection | : IP54 acc. To IEC 60529 |
| Ambient Temp. (Ta) | : - 5°C to + 55°C |
| Rated Voltage | : up to 600 V. |
| Rated current | : up to 32A.. |
| Electrical rating range | : 10 - 32A.. |
| Protection class for UL | : Class I, Division 1or 2 Group. C,D Class II, Division 1 or 2 Groups. E,F,G Class III |
| Protection class for IEC | : Zone1 , 21 and Zone 2 , 22 |

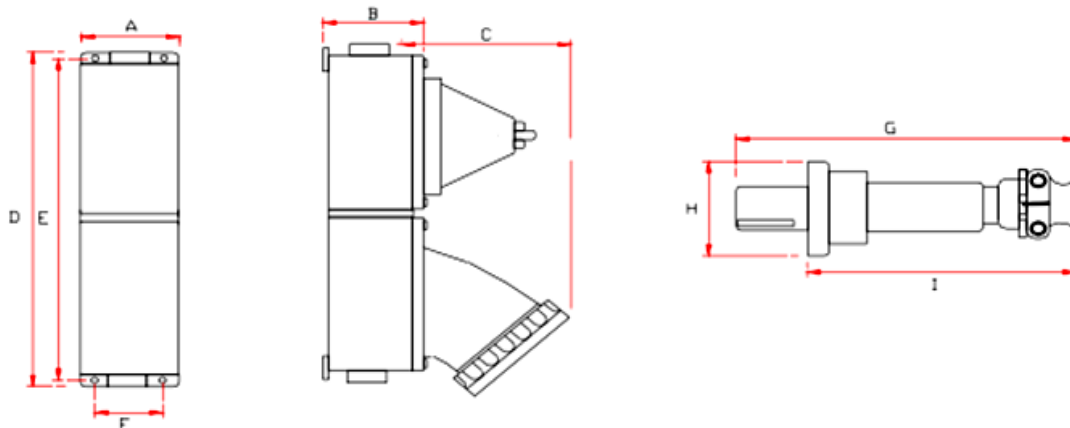


REQS 2130 and EPJ 2130
REQS 3132 and EPJ 3132

Specification:

| | |
|---------------|--|
| Body material | : Marine grade copper-free aluminum alloy with epoxy-polyester powder coated , RAL7032 (GREY) |
| Bolts | : Stainless steel |

Dimension:



| Dimension in mm. | | | | | | | | | |
|---|----|----|-----|-----|-----|----|-----|----|-----|
| Amp.Trip Switch | A | B | C | D | E | F | G | H | I |
| 1PH/2W/3P(2P+G) 10A., 15A. , 20A. , 30A. | 90 | 73 | 162 | 177 | 155 | 70 | 153 | 75 | 110 |
| 3PH/3W/4P(3P+G) 10A., 16A. , 20A. , 32A. | 90 | 73 | 162 | 177 | 155 | 70 | 153 | 75 | 110 |

Catalogue Numbers:

| Amp. Trip and Switches | AT | Hub Size | Cat., No. Receptacle and Switch | Cat., No. Plug |
|-------------------------|----|------------|---------------------------------|----------------|
| | | NPT (inch) | | |
| 1PH/2W/3P (2P+G) | 10 | 3/4" | REQS 2110 | EPJ 2110 |
| | 15 | 3/4" | REQS 2115 | EPJ 2115 |
| | 20 | 3/4" | REQS 2120 | EPJ 2120 |
| | 30 | 3/4" | REQS 2130 | EPJ 2130 |
| 3PH/3W/4P (3P+G) | 10 | 3/4" | REQS 3110 | EPJ 3110 |
| | 16 | 3/4" | REQS 3116 | EPJ 3116 |
| | 20 | 3/4" | REQS 3120 | EPJ 3120 |
| | 32 | 3/4" | REQS 3132 | EPJ 3132 |