

Technical data:

Explosion Protection	: Ex de IIB T6/T5
Conforming to	: Standards IEC 60079-0 to 1 or UL 600791
Marking for test	: Ex II2G
Degree of Protection	: IP66 acc.To IEC 60529
Ambient Temp. (Ta)	: -20°C to + 55°C
Rated Voltage	: 220-240V. AC 50Hz
Connection	: L , N and E ; for1-4 Squmm. Cable
LED Colors	: White
LED Watt.	: 100 w.,150w.,200w.
Lumen	: 120 Lm/W
Entries thread	: 1x3/4" NPT
Protection class for UL.	: Class I, Divition1, 2 Group.C,D : Class II, Divition1,2 Groups.E,F,G : Class III
Protection class for IEC	: Zone 1 , 21 and Zone 2 , 22



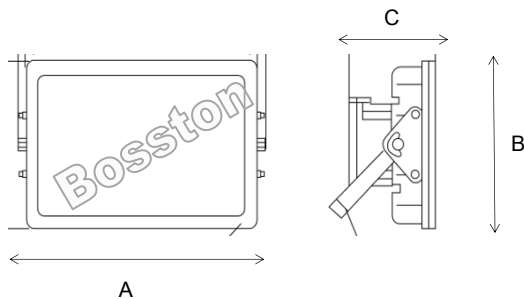
AFE-SS 150

Specification:

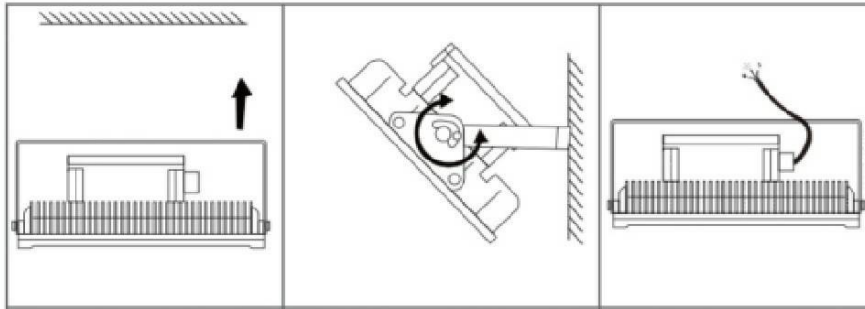
Body and cover	: Marine grade copper-free aluminum alloy with epoxy-polyester powder coated ,(GREY)
Sealing gasket	: Silicone -40°C to + 175°C
Lens	:Heat and impact resistant clear glass
Bracket , bolts	: Steel

Catalogue Number and Dimensions:

Lamp Watt	Cat. No.	Temp. Class		Dimensions (mm.)		
		Ta 40 ° C	Ta 55 ° C	A	B	C
100w.	AFE-SS 100	T6	T5	310	255	175
150w.	AFE-SS 150	T6	T5	450	310	170
200w.	AFE-SS 200	T6	T5	450	310	170



Installation :



- Install to the fixed surface
- Adjust the screw to adjust the angle
- Connect the power cable

