

EOL1 Low-intensity Obstacle Lights and EFH1 Flasher



Bosston

A QUALITY PRODUCT



ISO9001:2008



EXPLOSIONPROOF

For UL.60079-1 Standard Class I,II Div.1 and 2 Groups C,D,E,F and G

For IEC.60079-0 to 1 Standard Zone 1 and Zone 2

Technical data

- Type of Protection: Ex d IIA T6
- Conforming to : Standards IEC 60079-0 to 1 or UL 60079-1
- Marking for test : Ex II2G
- Degree of Protection : IP 66 / 67 acc.To IEC 60529
- Ambient Temp. (Ta) : -20 °C to+ 55 °C
- Rated Voltage : 12 - 24V.DC. 110 - 220 V.AC. 50Hz
- Type : EOL , EFH
- Lens : Acrylic plastic
- Globe : Heat and impact resistant glass
- Body and junction box : Copper-free aluminium
- Guard and screws : Stainless steel
- Protection class for UL. : Class I, Division1 or 2 Group.C,D
Class II, Division1 or 2 Groups.E,F,G
Class III
- Protection class for IEC : Zone1and Zone 2

Standard Finishes:

- Copper-Free aluminium - Epoxy-polyester powder
- Stainless steel - Natural

Applications:

The EOL1 low-intensity obstacle lights and EFH1 Flasher are suitable to use in hazardous areas where the presence of flammable gases, dusts and flyings or fibers. for marking and lighting of tall structures, buildings or use on mobile objects which intend to reduce hazards to aircraft. for outdoor and corrosive environments.

Catalogue Numbers:

Lamp Watts	Lamp Type	Light Intensity	Flashing Times/min	Cat.,No.
100	Incan.	> 10 cd.	none	EOL1-100 <input type="checkbox"/>
150	Halogen	> 40 cd.	70 - 75	EFH1-150 <input type="checkbox"/>
1	Halogen	-	30 - 35	EFH1-001 <input type="checkbox"/>

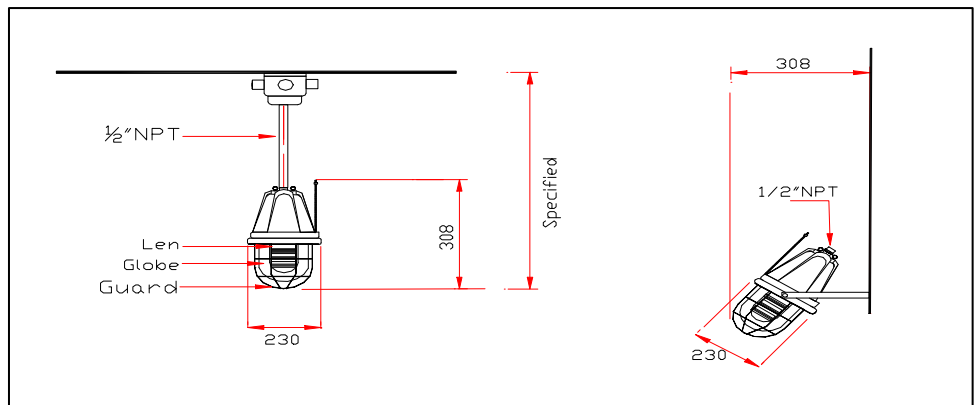
Features:

- Copper-free aluminium body and cated with epoxy-polyester for high corrosion resistant.
- powder for high corrosion resistant.
- Heat and impact resistant glass globes.
- 100W. For only fixed light, 150W. And 1W. For halgen lamp. (see Note and Options)
- Burning lamp life is more than 2,500hrs. For 100W. Incandescent traffic signalling lamp, or more than 2,000hrs. For 150W. And 1,000hrs. halogen lamp.
- Through-feed 3/4 inch NPT standard conduit hub for pendant and bracket type.
- Factory sealed.

Note :

- Adding suffix for lens colour to Cat.,No. R - Red, O - Orange, C - Clear, B - Blue
- ✦ Adding suffix - H to Cat.,No. for integral flasher circuit assembly into fixture body.

Dimension : (in mm.)



I