

## EBN Rotating Beacon

### EXPLOSIONPROOF

For UL.60079-1 Standard Class I,II Div.1 and 2 Groups C,D,E,F and G  
For IEC.60079-0 to 1 Standard Zone 1 and Zone 2

#### Technical data

Type of Protection: Ex d IIA T6

Conforming to : Standards IEC 60079-0 to 1 or UL 60079-1

Marking for test : Ex II2G

Degree of Protection : IP 67 acc.To IEC 60529

Ambient Temp. (Ta) : -20°C to+ 55°C

Rated Voltage : 12 - 24V.DC, 110 - 220V.AC. 50/60Hz

Type : EBN

Transparent cover : Borosilicate glass

Filter : Plastic in red colour

Protection class for UL. : Class I, Division1 or 2 Group.C,D

Class II, Division1 or 2 Groups.E,F,G

Class III

Protection class for IEC : Zone1and Zone 2



EBN

#### Applications:

The EBN rotating beacon is specially designed to use in hazardous areas where the audible signals cannot be heard. In process area where need a visual signal for communication such as to warn of unsafe conditions.

For outdoor and corrosive environments.

#### Features:

- Factory sealed, easy installation.
- copper-free aluminium body and coated with epoxy-polyester powder for high corrosion resistant.
- Heat and impact resistant glass globes.
- Provided a small motor drive to rotate the reflector 180 flashes per minute.
- Stainless steel guard for high corrosion resistant.
- 3/4" or 1/2" NPT standard conduit hub.

#### Standard Materials:

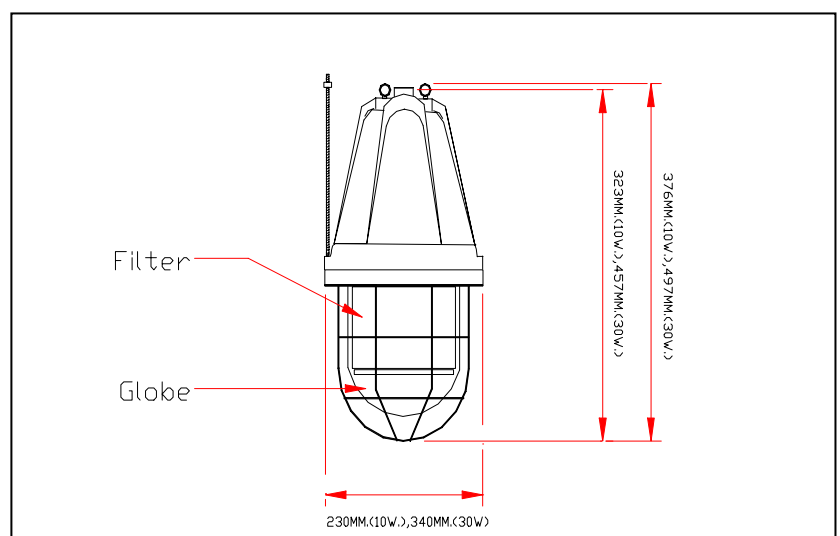
- Body - Copper-free aluminium
- Globe - Heat and impact resistant glass
- Guard and screws - Stainless steel

#### Standard Finishes:

- Copper-Free aluminium - Epoxy-polyester powder
- Stainless steel - Natural

Lamp Watts	Cat.,No.
10	EBN 10 ✦
30	EBN 30 ✦

#### Dimension : ( in mm. )



#### Note :

- Adding suffix for lens colour to Cat.,No.  
R - Red, O - Orange, G - Green, B - Blue
- ✦ 12V.DC.,24V.DC.,110V.AC.&220V.AC.